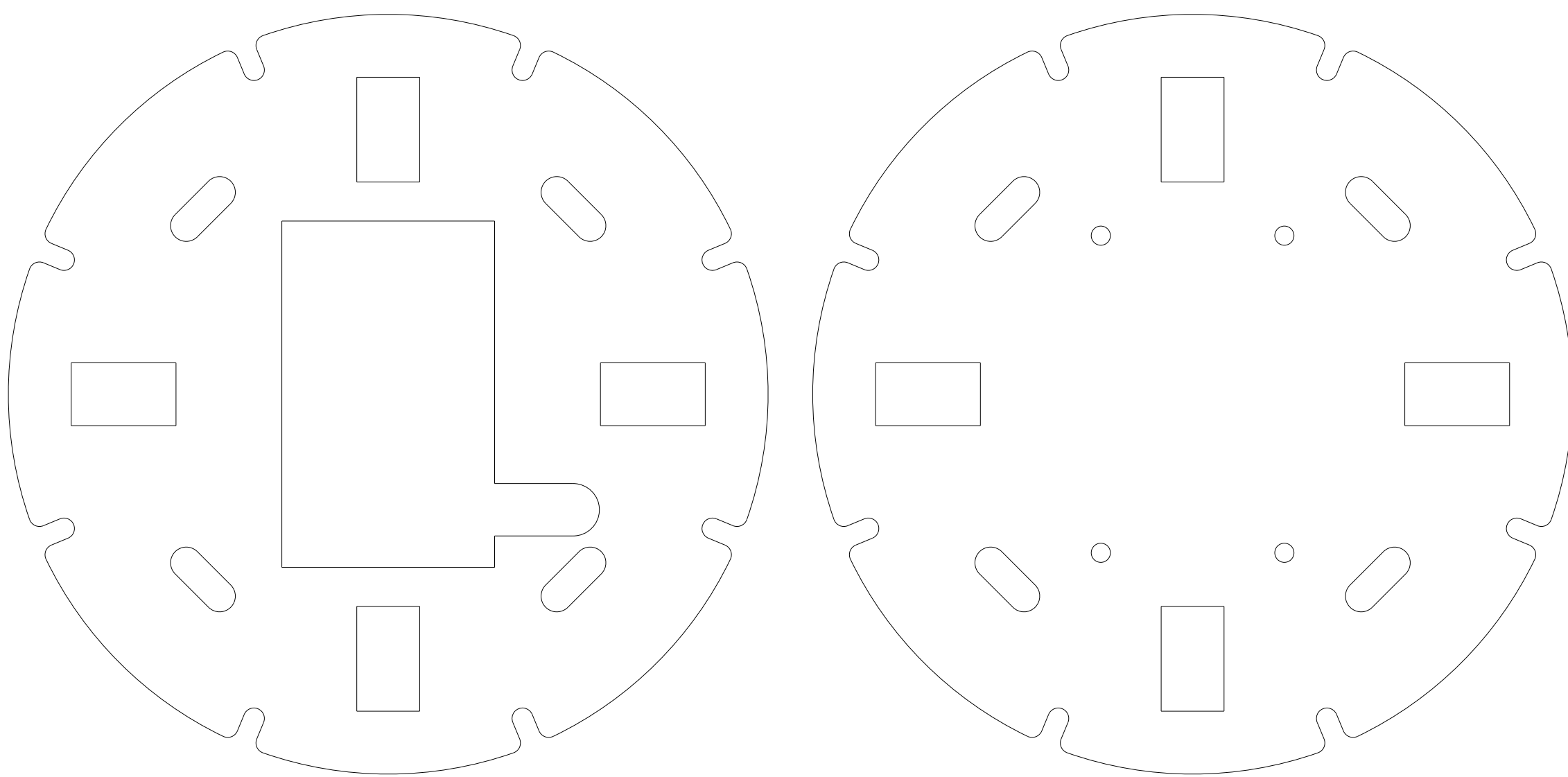
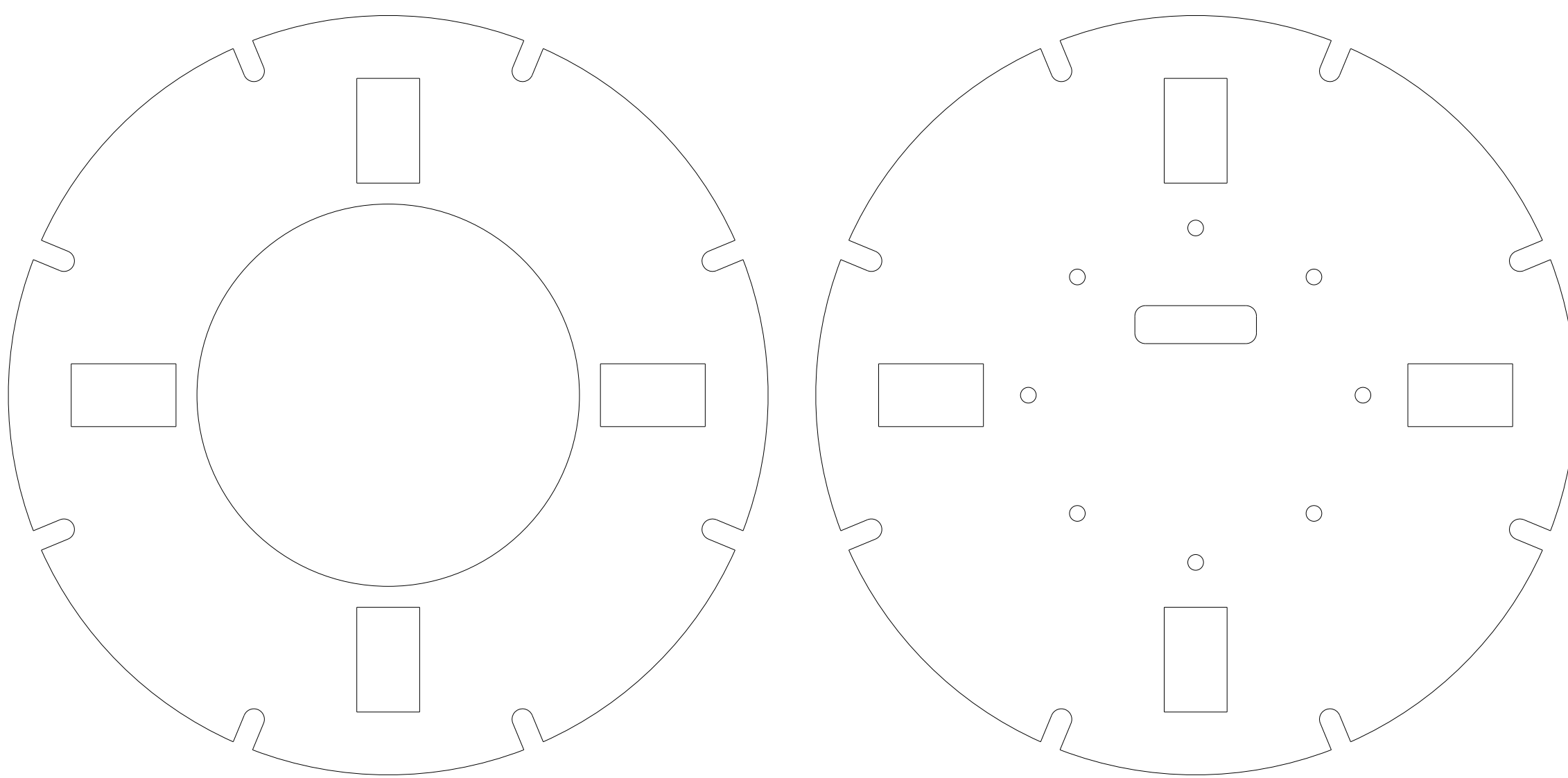


Frame

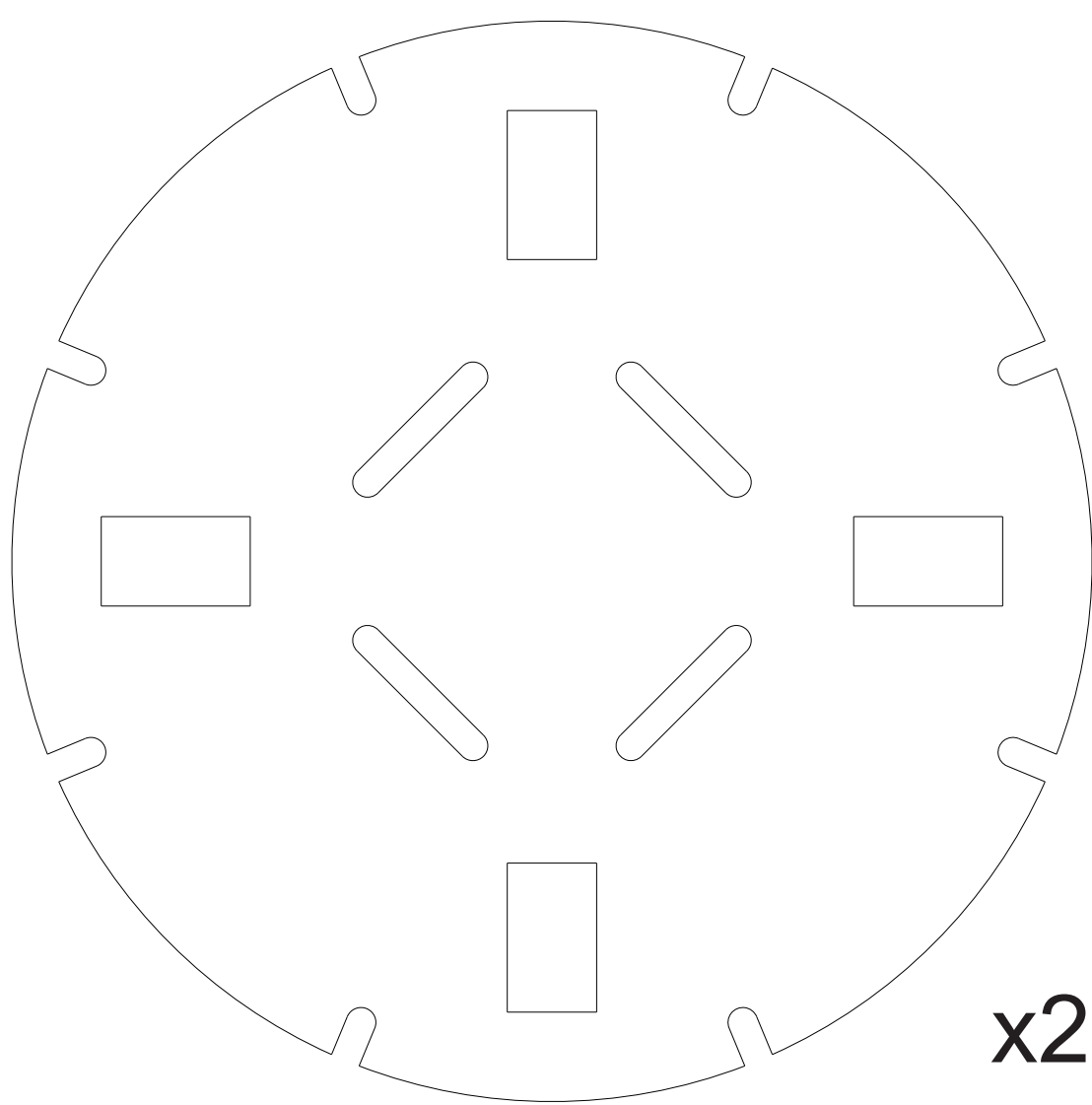
All parts except motor mounts are made from 4mm cardboard.



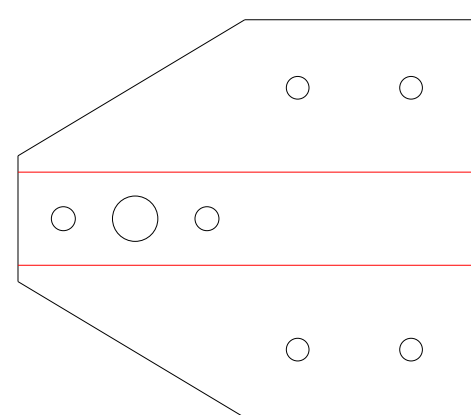
ArduPilotMega v2 Plate



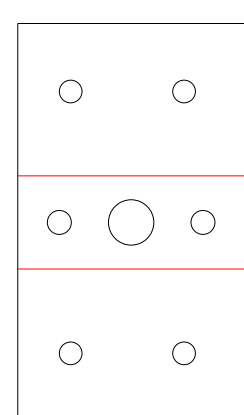
Quadriino Top Plate



Bottom Plate



19mm Motor Mount
use heavy cardstock
or aluminum.
x4



Another Motor Mount
x4

**Flying Paper, Rev1
Copyright 2012, Michael Estee**

Crash dome is a 14oz Ziploc bowl.

<http://www.amazon.com/Ziploc-Container-Small-Bowl-5-ct/dp/B000KKNRAU>

Rubber Bands are No. 127 Black ESD or similar. 7"x1/8"

<http://www.uline.com>

Also available under the Attribution-NonCommercial-ShareAlike 3.0 Unported license.
<http://creativecommons.org/licenses/by-nc-sa/3.0/>